

R41EZ v1.0 [J4125]

BASED ON INTEL® Gemini Lake PLATFORM_CELERON® PROCESSOR J SERIES



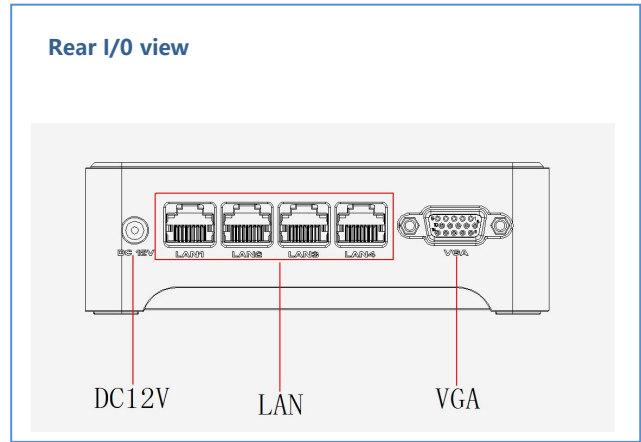
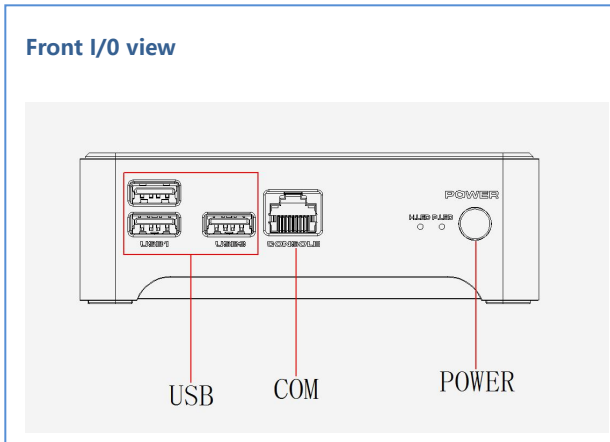
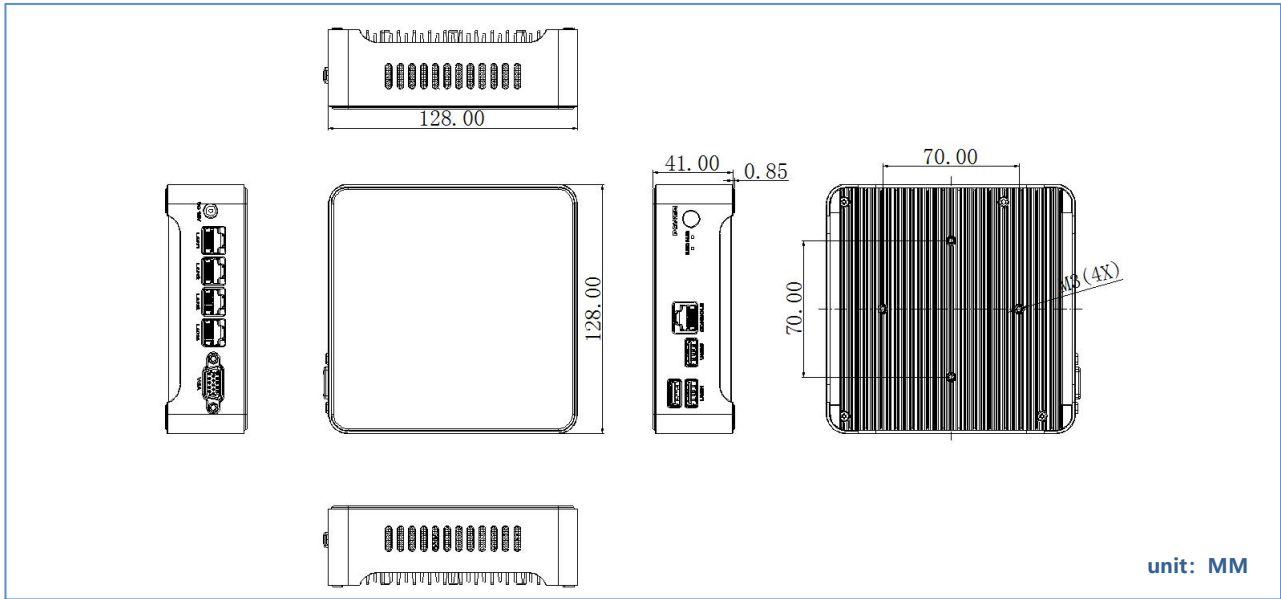
MAIN FEATURES

- Celeron J4125 2.0GHz Quad-core integrated
- 1x 2400MHz DDR4 ram, up to 8GB
- Storage:SSD&HDD
- 1x VGA
- 4x RJ_45 Gigabit Ethernet
- 1x RJ_45 Serial port_RS232
- 1x USB3.0 ; 2* USB2.0
- DC_12V power input
- All aluminum alloy chassis,without fan

SPECIFICATION :

Model NO.	R41EZ version:1.0	
Chassis	Structure	Fanless structure, all aluminum alloy chassis
	Dimension	Iron gray 128mm*128mm*41mm
	Color	Iron gray
	Installation	Desktop / VESA/Wall mounted
Motherboard	Processor	Integrated Intel®Celeron J4125 2.0GHz quad-core quad-thread processor ; TDP 10W compatible Intel® Gemini Lake series CPU
	Chipset	Gemini Lake SOC
	Display	Integrated Intel® UHD Graphics 600
	Memory	1* SODIMM slot ,support single channel 2400MHz DDR4 ram, up to 8GB
Front I/O	Switch	1* Power switch
	COM	1* RJ_45 CISCO standard RS232 serial port
	USB	2* USB2.0 ,1*USB3.0
Rear I/O	Display	1*VGA
	Ethernet	4* Intel WGI211AT Gigabit Ethernet, support Wake on LAN function
	power	1* DC JACK power port, support DC 12V power input
Storage	SATA	1* Standard SATA2.0 HDD port ,transfer speed up to 3Gbps
	SSD	1* MSATA slot ,support SSD ,transfer speed up to 3Gbps
Extension	Mini PCIE	1*Mini-PCIE slot , support WIFI/4G module Note:WIFI with LAN4 optional ,default LAN4
OS support	Microsoft Windows	Windows 7/10, 64bit
	Linux	Ubuntu
	Watch Dog	Support hardware reset function (L256, 0~255 seconds)
Power	Power Type	External power adaptor
	Voltage Input	DC_12V
	Power output	AC TO DC、 36W / 60W (optional)
Reliability	Working Temp.	-10℃ ~ 60℃
	Storage Temp.	-20℃ ~ 70℃
	Relative Humidity	5%-95% relative humidity, non-condensing
	Working Vibration	0.5g rms/5-500HZ/random/operating

DRAWING :



R4 | EZ SERIES INFO:

No.	Model	Processor	Motherboard	Memory	M.2	GPIO	LAN	COM	HDMI	VGA	USB2.0	USB3.0	SIM	power-input
1	R19FZ	J1900/2.00GHz	STX-R19F	1*DDR3L	N/A	N/A	4*WG82583V	1	N/A	1	2	1	N/A	DC 12V
2	R19EZ V1.0	J1900/2.00GHz	STX-R19E	1*DDR3L	N/A	N/A	4*WGI211AT	1	N/A	1	2	1	N/A	DC 12V
3	R41EZ V1.0	J4125 /2.0GHz	STX-R41E	1* DDR4	N/A	N/A	4*WGI211AT	1	N/A	1	2	1	N/A	DC 12V