

R280V(3210M)

1U standard industrial computer



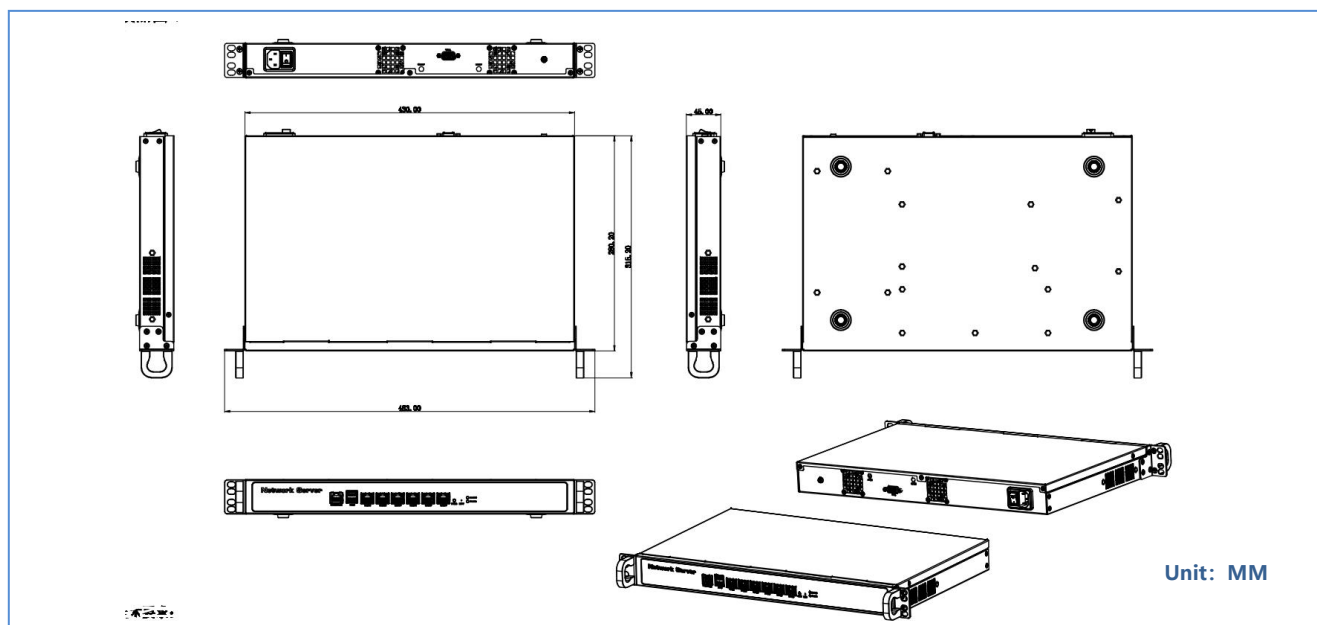
Main Features

- Intel i5-3210M 2.50GHz dual core quad thread processor, TDP35W
- 1* SODIMM memory slot, support 1600/1333/1066MHz DDR3 memory, up to 8GB
- 1* VGA
- 6* I225V 2.5G Gigabit electrical port, supports network wake-up and PXE functions
- 1* CISCO standard RS232 serial interface
- 2* USB2.0 interface
- 1U standard chassis, high-quality galvanized steel plate

Specification :

Model No.	R280V V1.0(3210M)	
Chassis	Material/structure	1U standard case, high-quality galvanized steel plate
	Color	Sub silver black
	Size (LWH)	L430* 280.2*45MM
	Installation	1U standard rack
Motherboard	CPU	Intel i5-3210M 2.50GHz dual-core quad-thread processor , TDP35W Support Intel® Sandy /Ivy Bridge Pentium/Celeron/I3/I5/I7 BGA1023 low power processor
	Chip	Intel HM77 high speed chipsets
	Display	Integrated Intel®HD Graphics
	Memory	1* SODIMM memory slot ,support 1600/1333MHz DDR3 memory, up to 8GB
Front panel connector	POWER	1* power switch, 1* reset switch
	LAN	6* I225V 2.5G Gigabit electrical port, supports wake-on-LAN/PXE function
	COM	1* RJ45 serial interface
	USB	2* USB2.0 interface
	LED	1* hard disk indicator light, 1* power indicator light
Rear panel connector	Display interface	1* VGA interface
	Power	1* power interface
storage	SATA	2* SATA3.0
	SSD	1* MSATA slot, transmission speed up to 6Gbps
expansion	Mini PCIE	1* MINIPICIE, Support TPM-4COM expansion 4 serial ports (requires BIOS that supports 4COM)
	M.2	1* M.2 Key-B slot. Supports M.2 2230/2242/2252 4G/5G module
OS	Microsoft Windows	Windows 10
	Linux	Ubuntu 19.04 or above
	Watch Dog	Support hardware reset function (level 256, 0~255 seconds)
Power Supply	Power supply type	open power supply
	Voltage input	AC 220V
	power output	AC to DC 12V/5A, 60W
Environment	working temperature	-10℃ ~ 60℃
	Storage temperature	-20℃ ~ 70℃
	Relative humidity	5%-95%(Relative humidity, non condensing)
	Working Vibration	0.5g rms/5-500HZ/random/operating

Dimensions



Front panel external I/O view



Rear panel external I/O view



Order information

No.	Model	Processor	Motherboard	Memory	BYPASS	LAN	COM	HDMI	VGA	USB2.0	USB3.0	optical fiber	power-input
1	R280V V1.0(2950M)	2950M/2.0GHz	K87	1*SODDDR3L	N/A	6* I225V	1	N/A	1	2	N/A	N/A	AC 220V
2	R280V V1.0(4455M)	4455M/2.1GHz	K45	1*SODDDR3	N/A	6* I225V	1	N/A	1	2	N/A	N/A	AC 220V
3	R280V V1.0(5205U)	5205U/1.9GHz	K52	2*SODDDR4	N/A	6* I225V	1	N/A	1	2	N/A	N/A	AC 220V
4	R280V V1.0(3210M)	i5-3210M/2.50GHz	K32	1*SODDDR3	N/A	6* I225V	1	N/A	1	2	N/A	N/A	AC 220V