

C6860Z-C10 [J1900]



Main Features

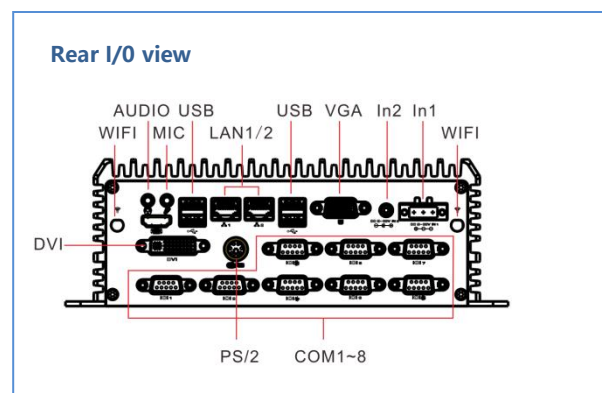
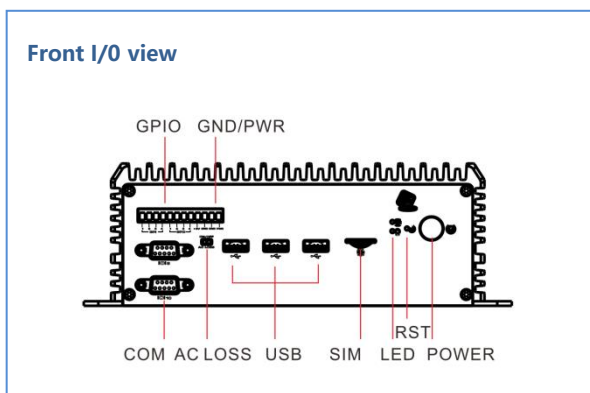
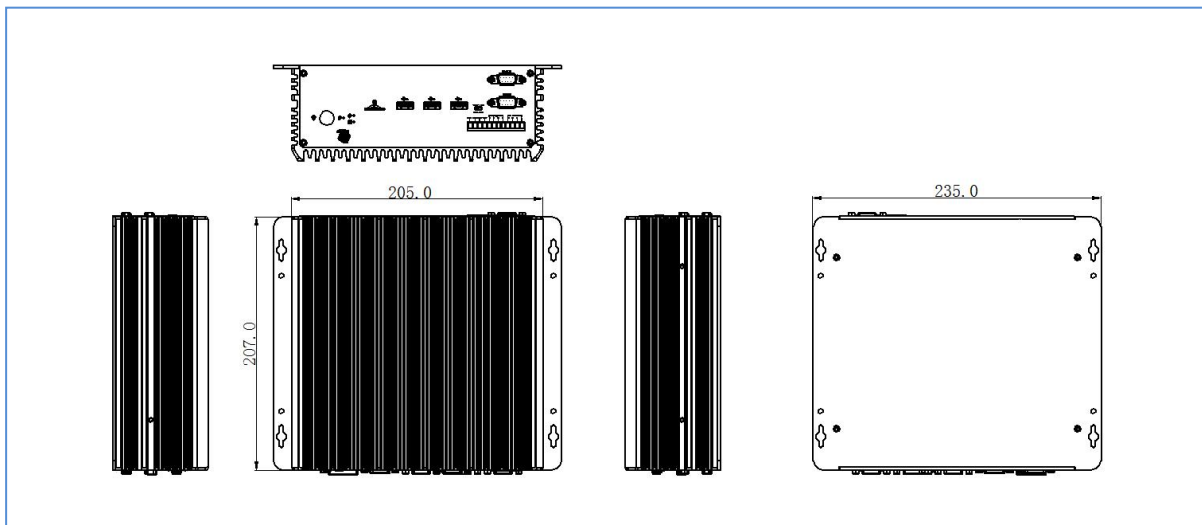
- Intel® J1900/2.00GHz quad-core integrated
- 1*SODIMM DDR3L 1600/1333MHz, up to 32GB
- 1*HDMI, 1*VGA, 1* DVI, Supports independent triple display
- 2* WGI210AT Gigabit network adapter
- 10* DB9 RS232 serial interface, COM7 to COM10 support switching RS485 function, with isolation
- 1*12PIN Phoenix terminal, four in four out GPIO, with isolation, switch, 5V
- 1*USB3.0, 6*USB2.0
- 9 to 36V wide voltage input
- All aluminum alloy chassis, without fan

Specification :

Model NO.	C6860Z-C10(J1900)	
Chassis	Structure	All aluminum alloy without fan
	Color	gloss black
	Dimension	L205*W207*H78mm
	Weight	2.45KG
	Installation	Desktop/embedded
Motherboard	CPU	Integrated Intel®J1900/2.00GHz quad-core processor , TDP 10W
	system-on-a-chip	Based on Bay Trail, CPU integration
	Display	Integrated Intel® HD Graphics core graphics card
	Memory	1*SODIMM slot for supporting single channel 1600 MHZ or 1333 MHZ DDR3L/1.35V memory , up to 8GB
Front I/O	POWER	1*power switch, 1*reset switch
	AC LOSS	1*AC LOSS (Power on/off switch)
	USB	3* USB2.0 interface, 1* built-in USB dongle
	PHOENIX	1*12pin, support four in four out GPIO, with isolation, switch, 5V
	COM	2* DB9 RS232 serial interface, COM9, COM10 support RS485 function, with isolation
	SIM	1* SIM card slot, 3G/4G module application
Rear I/O	Display interface	1*VGA port, 1*HDMI1.4 port, 1* DVI port
	LAN	2*Intel® WGI210AT Gigabit network adapter, supporting network wake up and PXE functions
	USB	3* USB2.0 ports, 1* USB3.0 ports
	COM	8* DB9 RS232 serial interface, COM1.COM2 support 9pin live, COM7, COM8 support RS485 function, with isolation
	PS2	1*PS2
	Audio	1*Line out, 1*MIC
	Power	1* DC power adapter interface, 1* 3pin power interface, support 9~36V power input
Storage	SATA	1*2.5-inch hard disk
	solid state disk	1* MSATA SSD expansion, transfer speed up to 6Gbps

Expansion	Mini PCIE	1* Mini PCIE slot, supporting WIFI/4G module
	M.2	1* M.2 slot, support M.2 2260/2280 NVME PCIE x4 standard SSD.
software support	Microsoft Windows	Windows 10 64-bit (without key)
	Linux	Ubuntu
OS support	Watch Dog	Support hardware reset function (L256, 0~255 seconds)
	power types	External power adapter or open power supply
Power Requirement	Voltage input	9V~36V wide voltage
	power output	36 w ~ 180 w
	Working Temp.	-10℃ ~ 60℃
environment	Storage Temp.	-20℃ ~ 70℃
	Relative Humidity	5%-95% relative humidity, non-condensing
	Working Vibration	0.5g rms/5-500HZ/random/operating

Drawing :



Order information

No.	Model	Processor	Motherboard	M.2	Memory	Phoenix terminal	LAN	COM	HDMI	VGA	DVI	USB2.0	USB3.0	Built-in USB	SIM	PS2	Power-input
1	C6860Z-C10 (J1900)	J1900/2.0GHz	C19_J926D	N/A	1*SODDDR3L	1*12PIN	2	10	1	1	1	6	1	1	1	1	9V~36V
2	C6860Z-C10 (3865U)	3865U/1.8GHz	C57_C326D	1	2*SODDDR4	1*12PIN	2	10	1	1	1	3	4	1	1	1	9V~36V
3	C6860Z-C10 (4120U)	4120U/2.0GHz	C43_I326D	N/A	1*SODDDR3L	1*12PIN	2	10	1	1	1	5	2	N/A	1	1	9V~36V

4	C6860Z-C10 (5250U)	5250U/1.6GHz	C43_I526D	N/A	1*SODDDR3L	1*12PIN	2	10	1	1	1	5	2	N/A	1	1	9V~36V
5	C6860Z-C10 (6360U)	6360U/2.0GHz	C57_I526D	1	2*SODDDR4	1*12PIN	2	10	1	1	1	3	4	1	1	1	9V~36V
6	C6860Z-C10 (6650U)	6650U/2.2GHz	C57_I726D	1	2*SODDDR4	1*12PIN	2	10	1	1	1	3	4	1	1	1	9V~36V
7	C6860Z-C10 (7200U)	7200U/2.5GHz	C57_I526D	1	2*SODDDR4	1*12PIN	2	10	1	1	1	3	4	1	1	1	9V~36V
8	C6860Z-C10 (7600U)	7600U/2.8GHz	C57_I726D	1	2*SODDDR4	1*12PIN	2	10	1	1	1	3	4	1	1	1	9V~36V
9	C6860Z-C10 (8145U)	8145U/2.1GHz	C81-I326D	1	2*SODDDR4	1*12PIN	2	10	1	1	1	3	4	1	1	1	9V~36V
10	C6860Z-C10 (8265U)	8265U/1.6GHz	C81-I526D	1	2*SODDDR4	1*12PIN	2	10	1	1	1	3	4	1	1	1	9V~36V
11	C6860Z-C10 (8565U)	8565U/1.8GHz	C81-I726D	1	2*SODDDR4	1*12PIN	2	10	1	1	1	3	4	1	1	1	9V~36V