

C5750Z-L4 v1.0 [J6412]



Main Features

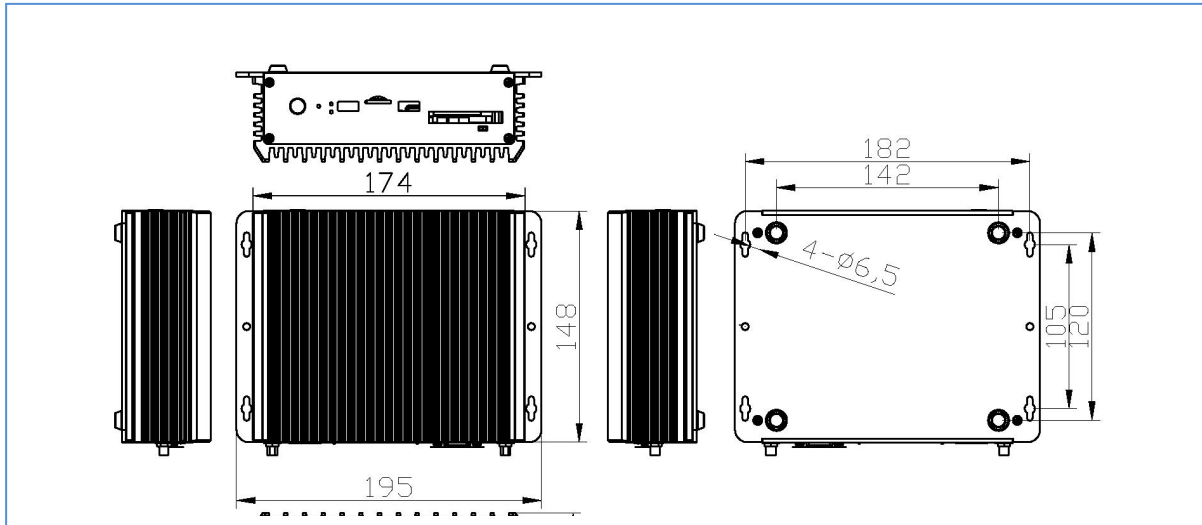
- Intel® Celeron J6412/2.00GHz quad-core integrated
- 2*SODIMM DDR4 3200MHz, up to 8GB
- Display: 1*HDMI, 1*VGA, support Dual Video Card
- 6* Intel network chip(2*Intel I226V+ 4*Intel I210)
- 2*RS232/485 DB9 ,1*RJ45 (console)
- 1*12PIN Phoenix terminal (includes 4-in-4-out GPIO/switch /5V signal)
- 2*USB3.0 ; 4* USB2.0
- DC_12V power input
- All aluminum alloy chassis, without fan

Specification :

Model NO.	C5750Z-L4 V1.0(J6412)	
Chassis	Structure	All aluminum alloy, fanless cooling structure
	Color	Iron gray + Silver front and rear panels
	Dimension	174mm*148mm*57mm
	Weight	1.35KG
	Installation	Desktop/embedded
Motherboard	CPU	Integrated Intel® Celeron J6412/2.00GHz quad-core four-thread processor , TDP 10W
	Display	Integrated Intel® UHD Graphics
	Memory	2*DDR4 SODIMM memory slot,support 3200MHz memory,up to 16GB
Front I/O	POWER	1*power switch, 1*restart switch, 1*AC LOSS (power on toggle switch)
	LED	1* Power indicator, 1* hard disk indicator
	USB	2*USB2.0
	SIM	1*SIM slot
	PHOENIX	1*12pin(includes 4-in-4-out GPIO, 1* power switch signal, 1*5V)
Rear I/O	Display interface	1*VGA, 1*HDMI1.4
	LAN	6*Intel network card(2*Intel I226 + 4*Intel I210(subject to actual shipment))
	USB	2*USB3.0, 2*USB2.0
	COM	1*RS232/485 DB9 serial port, 1*RJ45 (console)
	Audio	1*Line out, 1*MIC
	Power	1*DC 12V power input
Storage	SATA	1*2.5-inch hard drive bay
	MSATA	1*MSATA
Expansion	USB	1*USB2.0 TYPE A horizontal
	Mini PCIE	1*Mini PCIE slot with 4G/WiFi support Note: Motherboard LAN6 and WIFI are two options, the default is LAN6
OS support	Windows	Windows 10
	Linux	Ubuntu
	Watch Dog	Support hardware reset function (L256, 0~255 seconds)
Power Input	Power Type	External power adaptor

	Voltage Input	DC 12V
	Power output	AC TO DC、60W(Depending on specific equipment)
environment	Working Temp.	-10°C ~ 50°C
	Storage Temp.	-20°C ~ 70°C
	Relative Humidity	5%-95% relative humidity, non-condensing
	Working Vibration	0.5g rms/5-500HZ/random/operating

Drawing :



Front I/O view



Rear I/O view



Order information

No.	Model	Processor	Memory	MB	IO Board	GPIO	LAN	COM	HDMI	VGA	USB2.0	USB3.0	power
1	C5750Z-L4 V1.0(5020U)	i3-5020U/2.0G	1*SODDDR3	C43_I326D	C57-L4/C68-HM/C68-G12	4 in and 4 out	6	2	1	1	4	2	DC 12V
2	C5750Z-L4 V1.0(6650U)	i7-6650U/2.2G	2*SODDDR4	C57_I726D	C57-L4/C68-HM/C68-G12	4 in and 4 out	6	2	1	1	2	4	DC 12V
3	C5750Z-L4 V1.0(7360U)	i5-7360U/2.3G	2*SODDDR4	C58_I526D	C57-L4/C68-HM/C68-G12	4 in and 4 out	6	2	1	1	2	4	DC 12V
4	C5750Z-L4 V1.0(J6412)	J6412/2.0G	2*SODDDR4	C641_J126D	C57-L4/C68-HM/C68-G12	4 in and 4 out	6	2	1	1	4	2	DC 12V

Note: With C43/C641 motherboard LAN6 and WIFI is one of two options, the default is LAN6