

# C4350Z-C1(J4125)



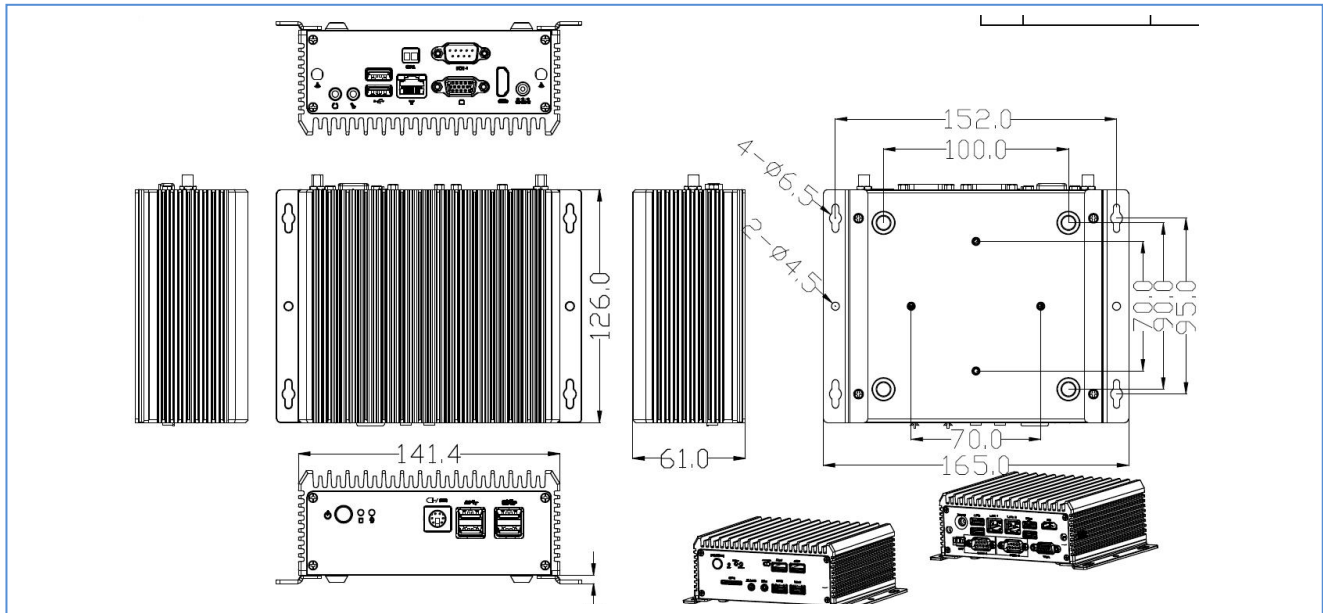
## Product features

- Integrated Intel® Celeron J4125 2.0GHz Quad-core Quad-thread processor
- 1\*SODIMM DDR4 2400MHz memory, up to 8GB
- 1\*HDMI, 1\*VGA
- 1\*Realtek8111H Gigabit electrical port
- 1\*RS232 DB9 Serial port
- 4\*USB3.0, 2\*USB2.0
- DC12V power input
- Fanless cooling structure, all aluminum alloy material

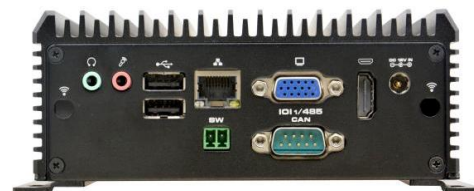
## Specification:

<b>Model NO.</b>	C4350Z-C1 V1.0(J4125)	
<b>Chassis</b>	Structure	All aluminum alloy, fanless cooling structure
	Color	Black
	Dimension (L*W*H)	141.5*126*61MM
	Installation	Support desktop/wall-mounted
<b>Motherboard</b>	CPU	Integrated Intel®Celeron J4125 2.0GHz quad-core quad-thread processor, TDP 10W
	Chipset	SOC
	Display	Integrated Intel® UHD Graphics 600
	Memory	1*DDR4 SODIMM memory slot, 2400MHz memory, supports up to 8GB
<b>Front I/O</b>	POWER	1*power switch
	LED	1*Power indicator light, 1*Hard disk indicator light
	USB	4* USB3.0
	PS/2	1*PS/2
<b>Rear I/O</b>	POWER	1*2PIN remote switch
	Display	1*VGA, 1* HDMI1.4(4096x2304@24Hz)
	LAN	1* Realtek8111H Gigabit electrical port, supports wake-on-LAN and PXE functions
	USB	2*USB2.0
	COM	1*RS232 DB9 serial port
	Audio	1* Line out, 1* MIC
	Power	1*DC 12V power input
<b>Storage</b>	SATA	1* SATA 3.0, the transfer rate up to 6Gbps
	MSATA	N/A
	M.2	1*M.2, 2280, support SATA
<b>Extension</b>	Mini PCIE	N/A
	M.2	1* M.2, 2230, support WiFi
<b>Software Support</b>	Windows	YES
	Linux	YES
	Watch Dog	Support hardware reset function (L256, 0~255 seconds)
<b>Power</b>	Power Type	External power adapter
	Voltage Input	DC 12V
	Power output	AC TO DC、36W / 60W
<b>Reliability</b>	Working Temp.	-10℃ ~ 60℃
	Storage Temp.	-20℃ ~ 70℃
	Relative Humidity	5%-95% relative humidity, non-condensing
	Working Vibration	0.5g rms/5-500HZ/random/operating

# C4350Z-C1 Dimensions



Front I/O View



Rear I/O View

## Order information:

No.	Model	Processor	Motherboard	Memory	M.2	LAN	COM	HDMI	VGA	USB2.0	USB3.0	PS/2	AUDIO	power-input
1	C4350Z-C1 V1.0(J4105)	J4105/1.5GHz	F41_1L F52-C1	1*DDR4	1	1*RTL8111H	1	1	1	2	4	1	1* Line out 1* MIC	DC 12V
2	C4350Z-C1 V1.0(J4125)	J4125/2.0GHz	F41_1L F52-C1	1*DDR4	1	1*RTL8111H	1	1	1	2	4	1	1* Line out 1* MIC	DC 12V